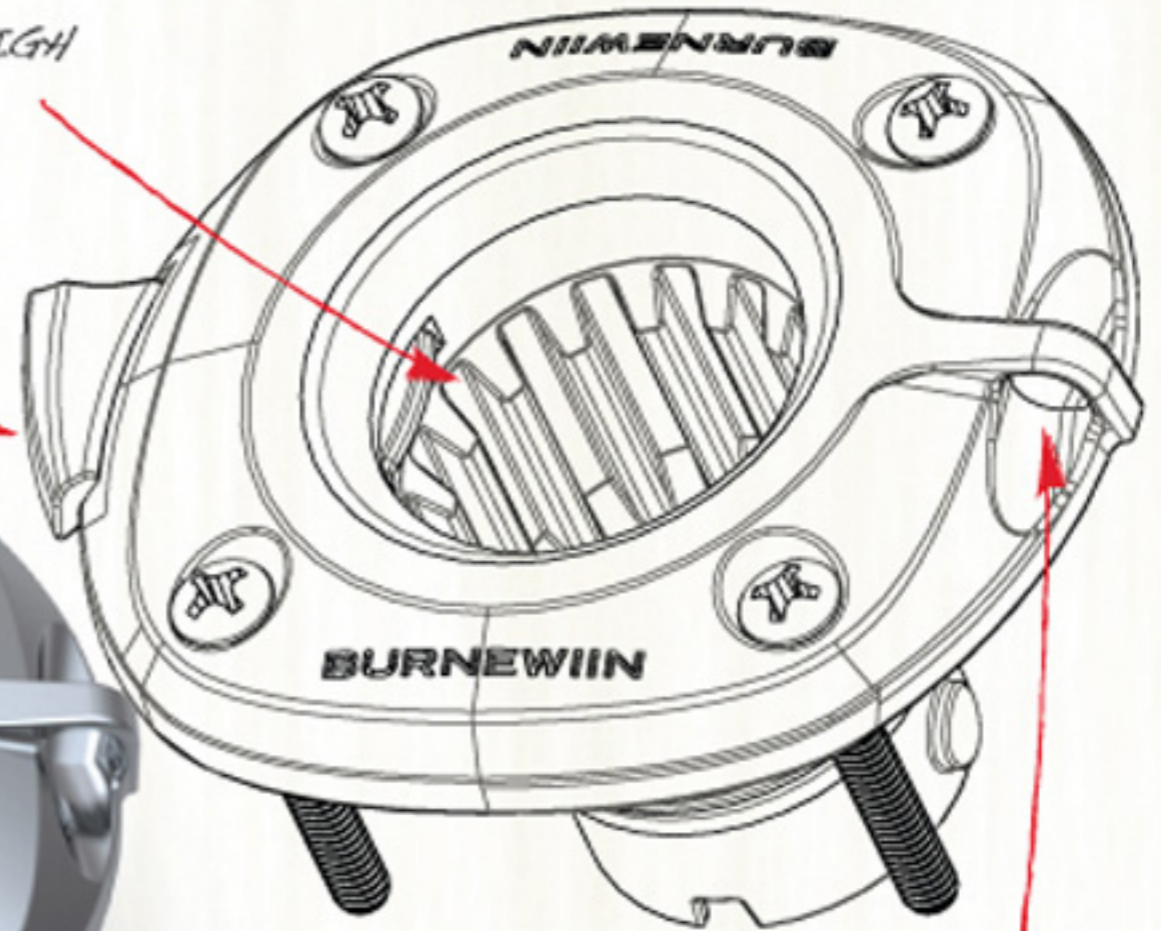


4.25"  
(108mm)

DEEP SPLINES FOR HIGH  
LOAD ACCESSORIES  
SPLINES- 22.5°  
INCREMENTS  
LOW PROFILE  
LOCK-INTEGRATED



1.5" DIA.



\*ACCESSORY HITCHING LOOP:  
- RL5353 ROD LEASH  
- TW1010 TOWEL

\*316 STAINLESS



2.9"  
(74.4mm)

AVAILABLE\* COMPATABLE DM4800 DRAINAGE MANAGEMENT ADAPTER  
AVAILABLE\* INSULATOR GASKET SET FOR ALUMINUM BOATS G410  
AVAILABLE\* MOUNTING TEMPLATE INCLUDED IN PACKAGE

4X 2" long, 1/4-20, 316 stainless screws, washers and locking nuts INCLUDED

**BURNEWIIN**

DESCRIPTION	SCM	NAME	PART
INVESTMENT CAST, HAND POLISHED, UNIVERSAL MOUNT	NTS	GM650 MOUNT	002-009-00001