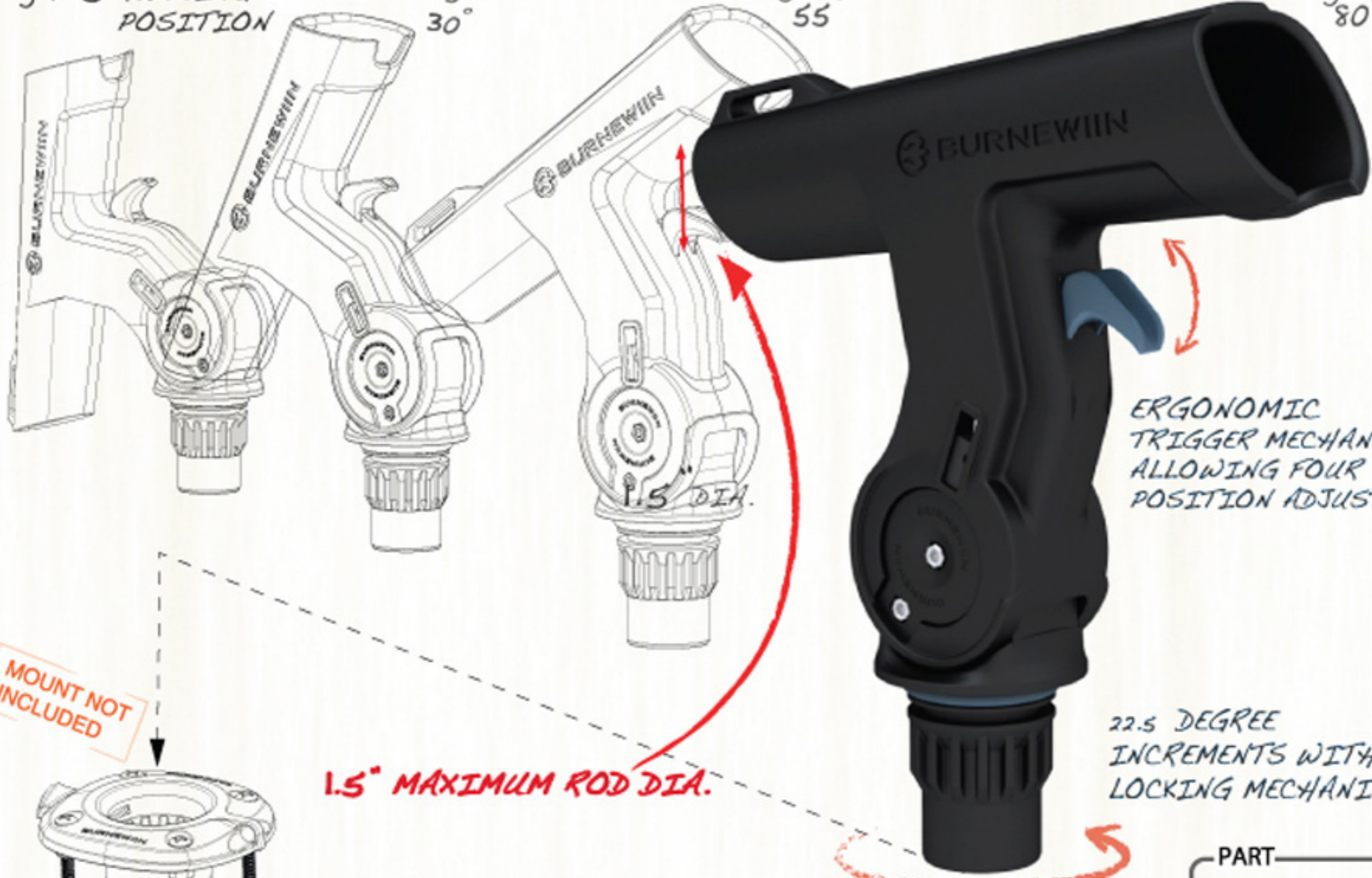


Fig.4 5° RUNNING POSITION

Fig.3 30°

Fig.2 55°

Fig.1 80°



ERGONOMIC TRIGGER MECHANISM ALLOWING FOUR POSITION ADJUST

22.5 DEGREE INCREMENTS WITH LOCKING MECHANISM

1.5" MAXIMUM ROD DIA.

MOUNT NOT INCLUDED



COMPATIBLE W/ GM650 AND GM400 MOUNT

BURNEWIIN

DESCRIPTION

UNIVERSAL ROD HOLDER

SCM
NTS

NAME

RH3740 ROD HOLDER

PART

002-009-00010